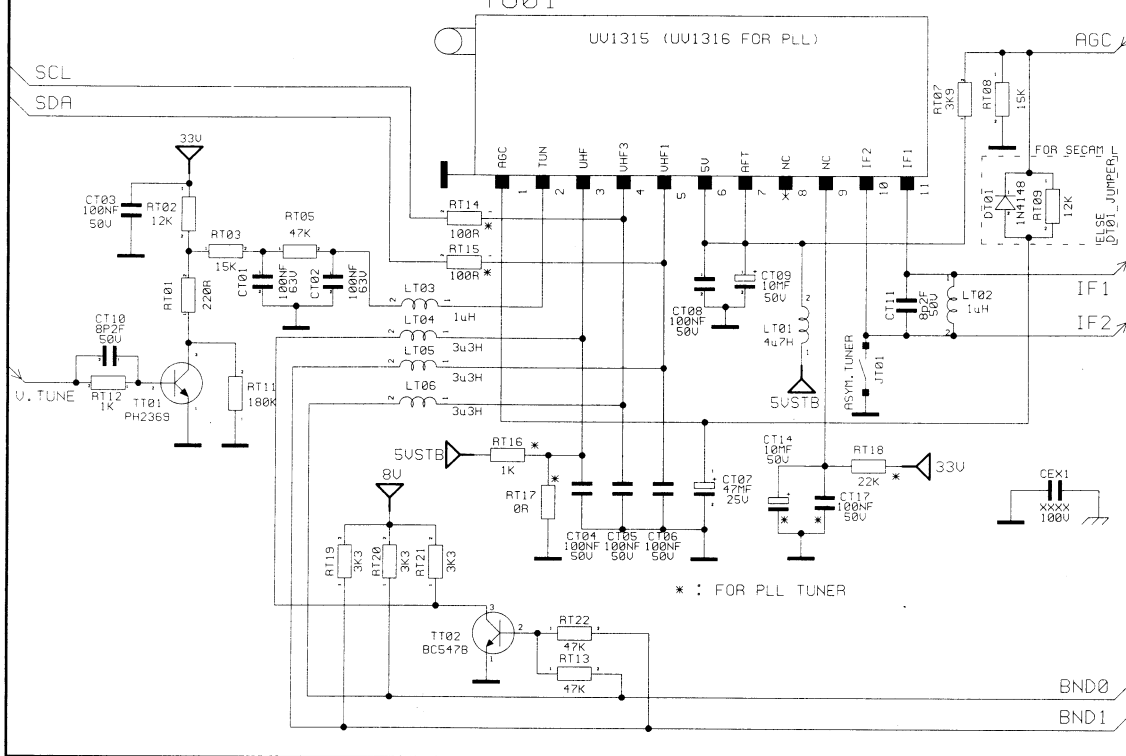
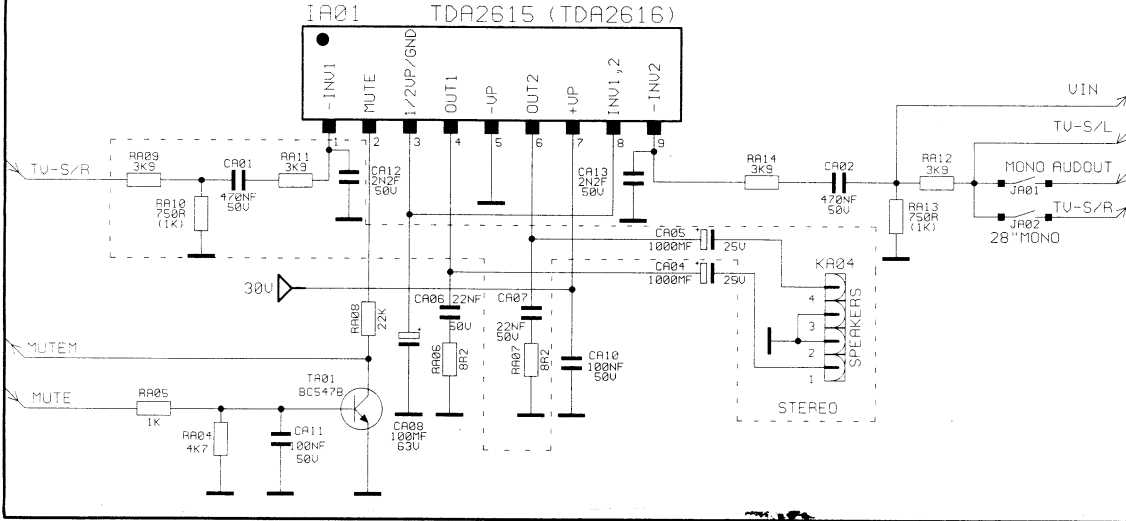




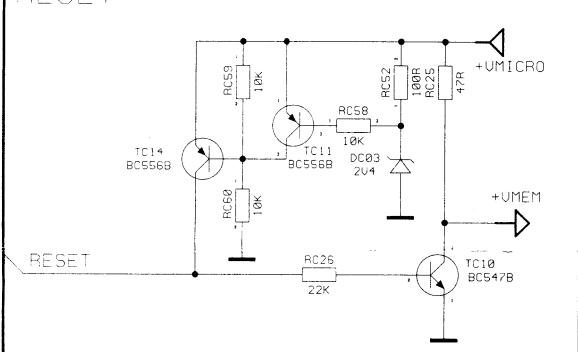
# TUNER



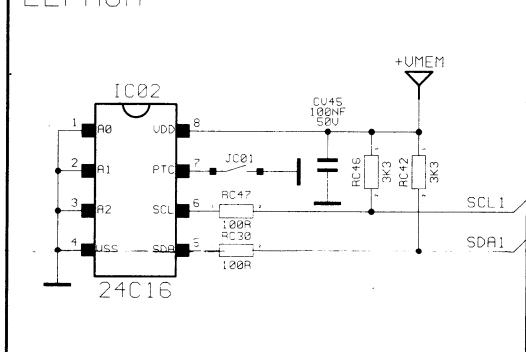
# AUDIO AMPLIFIER



# RESET

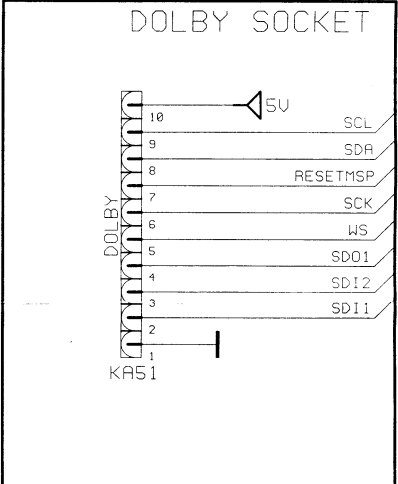
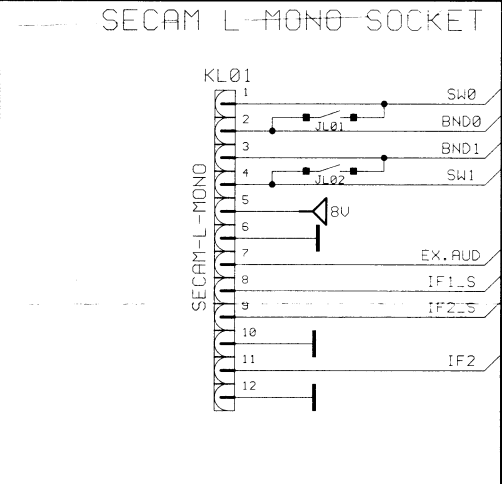
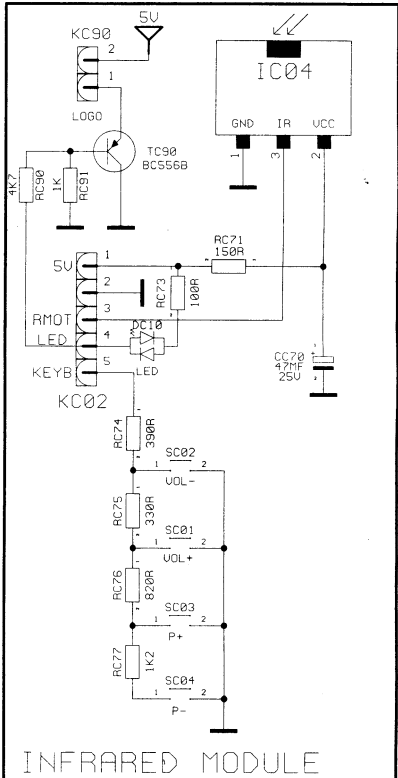
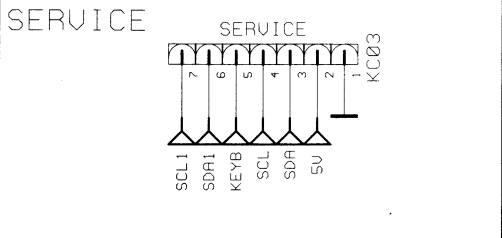
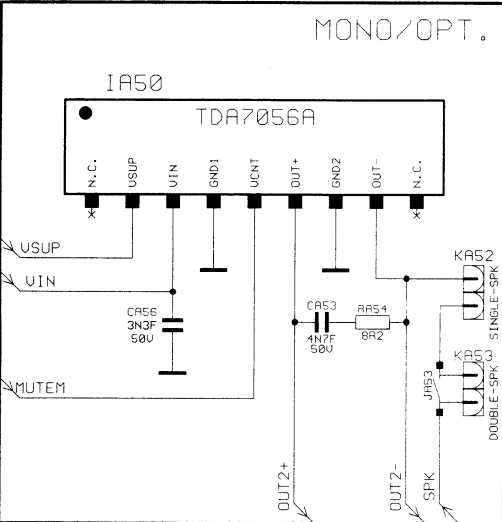
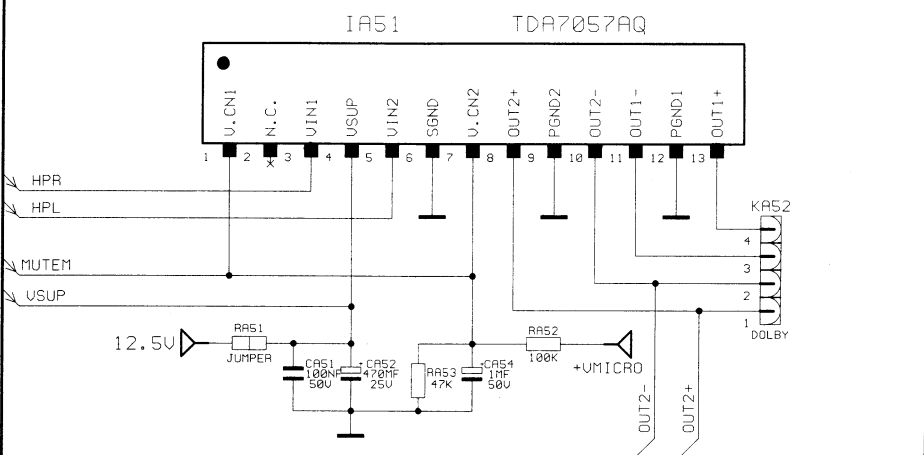


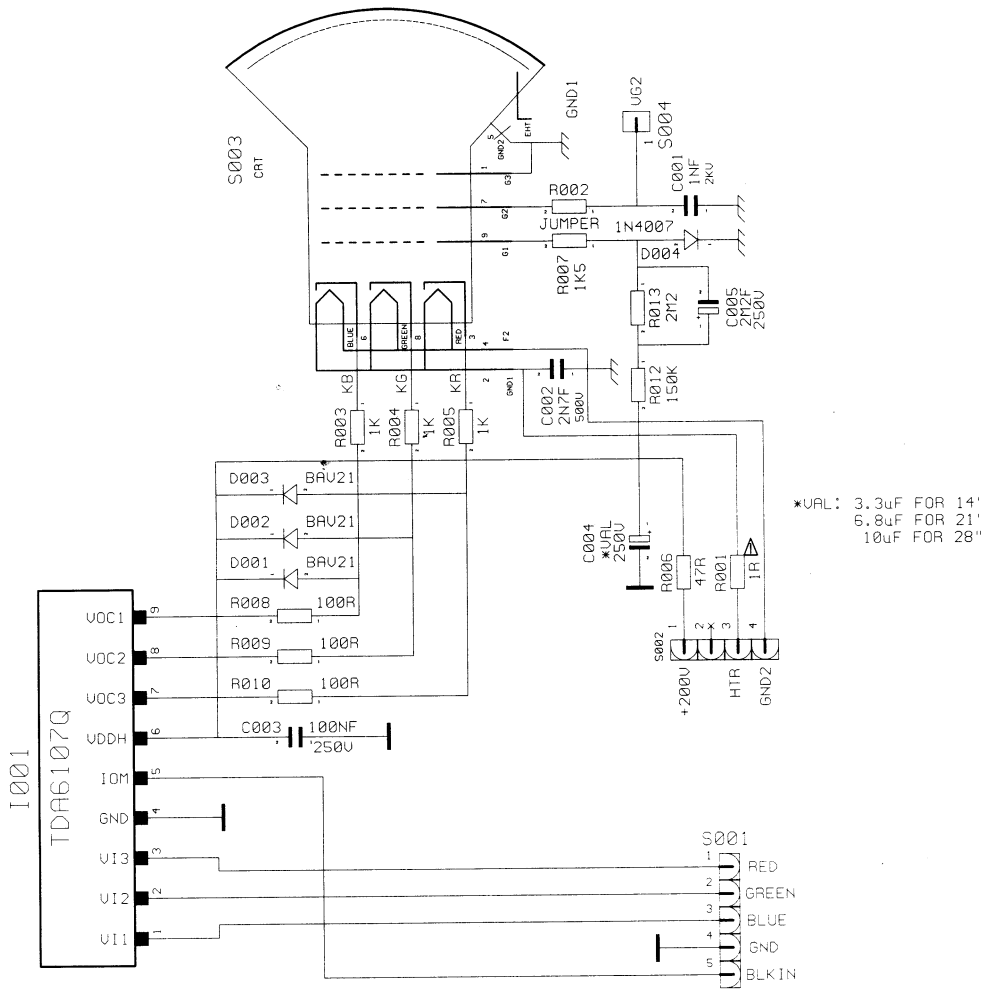
# EEPROM





# DOLBY AMPLIFIER



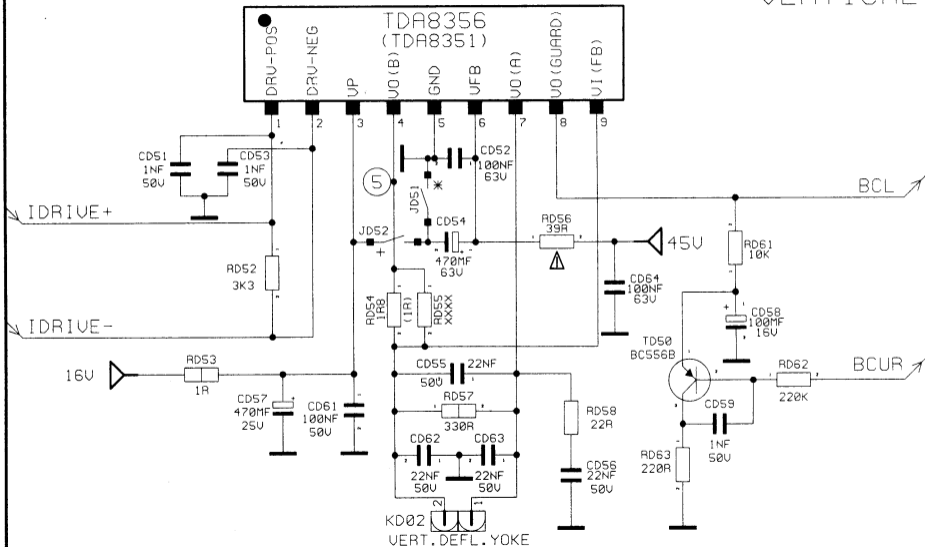


\*UAL: 3.3uF FOR 14"  
 6.8uF FOR 21"  
 10uF FOR 28"

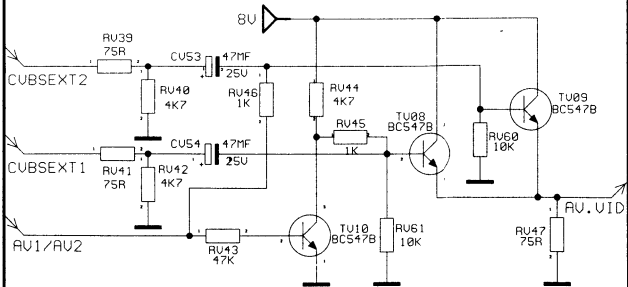


ID50

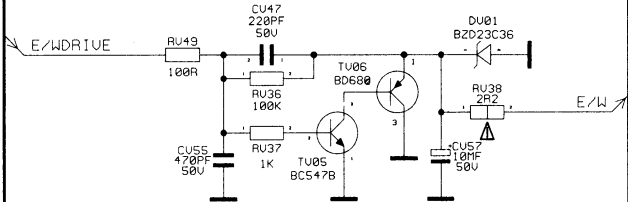
VERTICAL

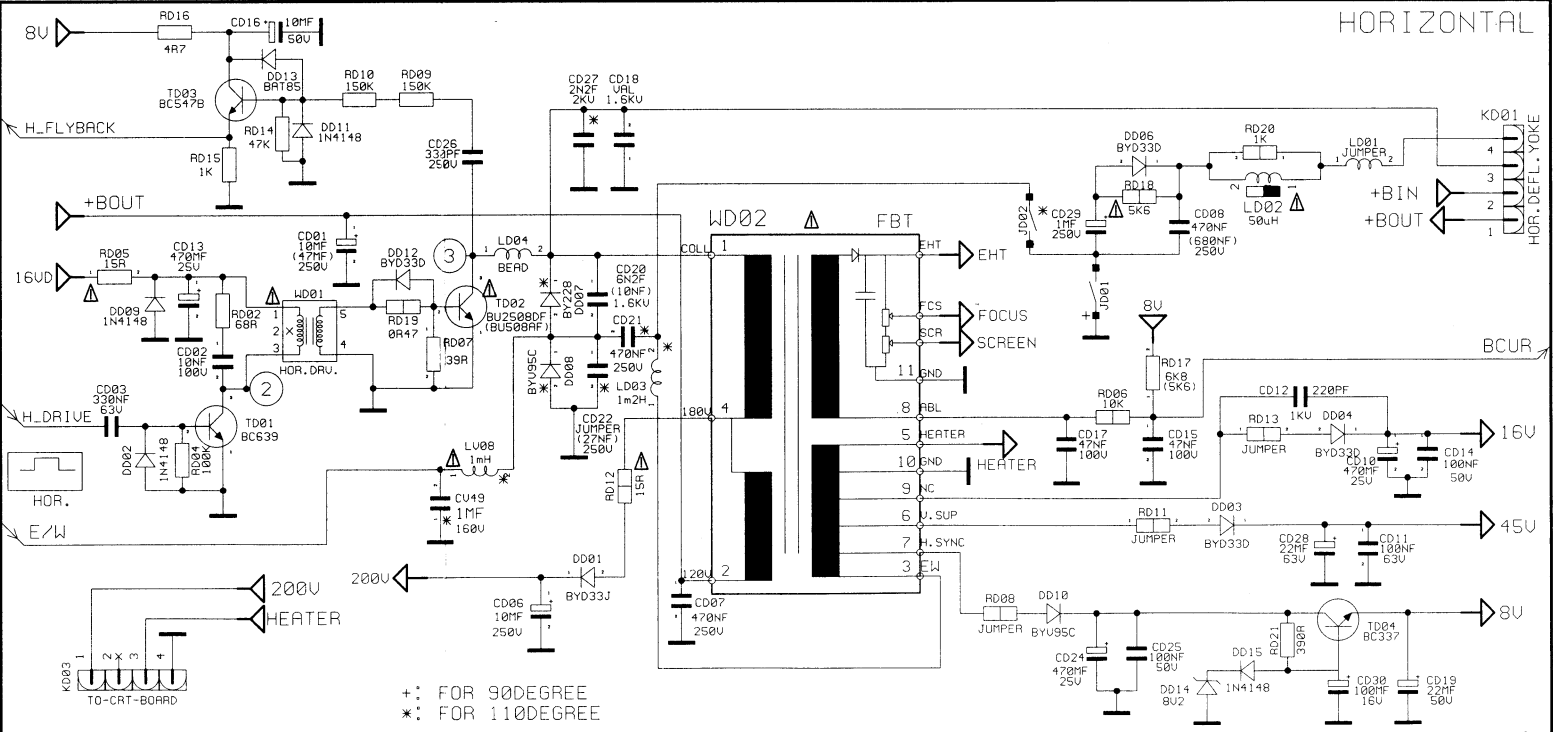


# VIDEO SWITCH



# E/W DRIVE





PT92 CHASSIS SCHEMATIC DIAGRAM VER. C

28" w/s CD21 - 680nf 250v

## SE SERVICE MENU

The s  
ously  
When  
<PRC  
<VOL  
items  
They  
"INIT  
es for  
finish

The service menu is entered by pressing the <SUB-PAGE> key on the RC and VOLUME-DOWN key on the TV simultaneously when the TV is in TV- mode. The service menu is left by pressing the <TV> key.

When entering the service mode the first menu item is IF (selection of normal IF). Next items can be selected using the key <PROGRAM-UP> and <PROGRAM-DOWN>. The value of each item can be changed using the keys <VOLUME-UP> and <VOLUME-DOWN>. The item values are displayed as decimal values, except for the tuner-band-selection, BITS and option items.

They are displayed as hexa-decimal values. All values are stored in non-volatile memory when the service menu is left. The "INIT CTV832U" item initializes the NVM: It clears all names and tuning information of all programs and writes default values for the service alignments and preset values in NVM. While doing so, the OSD displays "BUSY". When the initialization is finished, the message "READY" is written on the screen.

Item	Default	Explanation
IF	38.9	IF selection (58.8, 45.8, 38.9 or 38.00 MHz)
IFL1	33.9	IF for SECAM-L1 selection (33.4 or 33.9 MHz)
HP	31	Horizontal parallelogram
HB	31	Horizontal bow
EW	37	East-west Width for picture setting 16:9
PW	18	East-west Parabola for picture setting 16:9
UCP	13	East-west Upper Corner parabola for picture setting 16:9
LCP	13	East-west Lower Corner parabola for picture setting 16:9
TC	28	East-west Trapezium for picture setting 16:9
HP4:3	31	Horizontal parallelogram for picture setting 4:3
HB4:3	31	Horizontal bow for picture setting 4:3
EW4:3	45	East-west Width for picture setting 4:3
PW4:3	15	East-west Parabola for picture setting 4:3
UCP4:3	35	East-west Upper Corner parabola for picture setting 4:3
LCP4:3	25	East-west Lower Corner parabola for picture setting 4:3
TC4:3	31	East-west Trapezium for picture setting 4:3
HS	31	Horizontal Shift
VS	31	Vertical Slope
VA	31	Vertical Amplitude
SC	31	S-Correction
VSD	off	Vertical Scan Disable
VSH	31	Vertical Shift
VX	25	Vertical zoom (East-west only)
BLR	7	Black Level Red
BLG	7	Black Level Green
WPR	31	White point correction Red
WPG	31	White point correction Green
WPB	31	White point correction Blue
Ys	15	Y-delay adjustment for SECAM
Yn	8	Y-delay adjustment for NTSC
YP	0	Y-delay adjustment for PAL

Yo 0 Y-delay adjustment for external sources  
 AGC 4 AGC take over  
 CL 4 Cathode drive level  
 Bits 00 (ACL=0; FCO= 0; SVO= 0; HP2= 0; FSL= 0; OSO= 0)  
 Bits1 00 (FFI= 0; TV= 0; AV-1= 0; AV-2= 0; AV-2S= 0;  
 AV-3= 0; AV-3S= 0; AV = 0)

**OptByte1 (Default=E3)**  
 PAL-BG = Selection PAL-BG (1)  
 PAL-DK = Selection PAL-DK (1)  
 PAL-I = Selection PAL-I (0)  
 PAL-M = Selection PAL-M (0)  
 PAL-N = Selection PAL-N (0)  
 NTSC-M = Selection NTSC-M (1)  
 NTSC-443 = Selection NTSC-443 (1)  
 SECAM-BG = Selection SECAM-BG (1)

\*(1) Selected, (0) Not Selected

**OptByte2 (Default=07)**  
 SECAM-DK = Selection SECAM-DK (1)  
 FRANCE = Selection FRANCE (1)  
 WEB = Enable/Disable (1/0)  
 PalBG Scr = When the PalBG Scr selected, TV searches only  
 PalBG. Otherwise it searches all. (0)  
 AV2 = Selection AV2 (0)

\*(1) Selected, (0) Not Selected

**OptByte3 (Default=E8)**  
 = (0)  
 JR = (0)  
 HP = (0)  
 Vol Bar = (1)  
 Sub Wof = (0)  
 Presets = (1)  
 Lock = (1)  
 Hotel = (0)

When the Hotel mode selected, It's impossible to  
 enter menu settings. It selects the Hotel mode. (1)

\*(1) Selected, (0) Not Selected

**OptByte4 (Default=B8)**  
 16:9 = Set 16:9 mode active (1)  
 110 = Selection 110/90 Tube (1/0)  
 Hpol = Default (0)  
 Vpol = Default (0)  
 Field = Default (1)  
 FE-Out = Default (1)  
 Sw-on = When the power on the TV, it Enables or Disables  
 Standby Mode. (1/0)  
 Vg-Check = Default (1)

\*(1) Selected, (0) Not Selected

**OptByte5 (Default=09)**  
 Clock = Enable/Disable Clock Menu (1)  
 AM/PM = (1)  
 AVL = Auto Volume Level (1)  
 = (0)  
 1-norma = Default (0)  
 Ftof-Txt = (0)  
 TR = (0)  
 DVD Start = (0)

\*(1) Selected, (0) Not Selected